

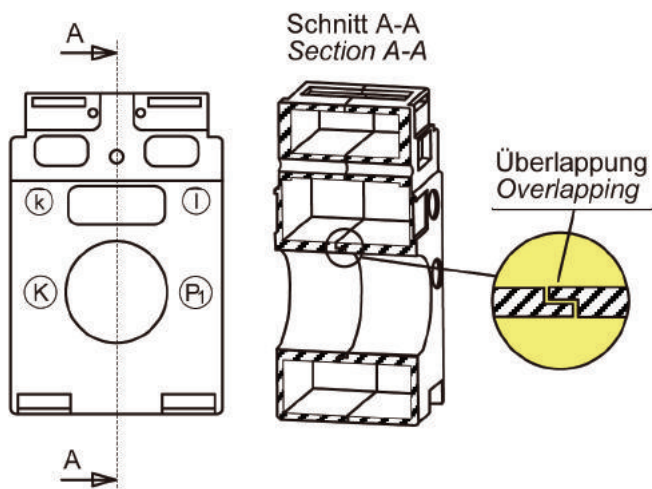
AST - Current transformers line

Technical comments

Modern design, versatility and greater safety are the distinctive features of the new AST-Line. In developing we have moreover retained our reliable CELSA secondary terminal.

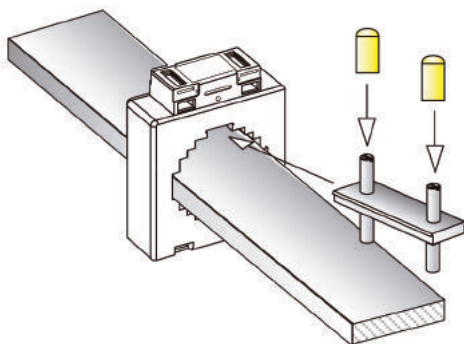
Greater safety

The joining point where the two halves of the housing meet inside the primary bar opening is crucial to safety. Quite in accordance with CELSA's motto - safety is built into our products - the two halves of the housing are not aligned with a butt joint, instead they are made to overlap in the new AST-Line.



Insulated protective caps for primary fixing bolts

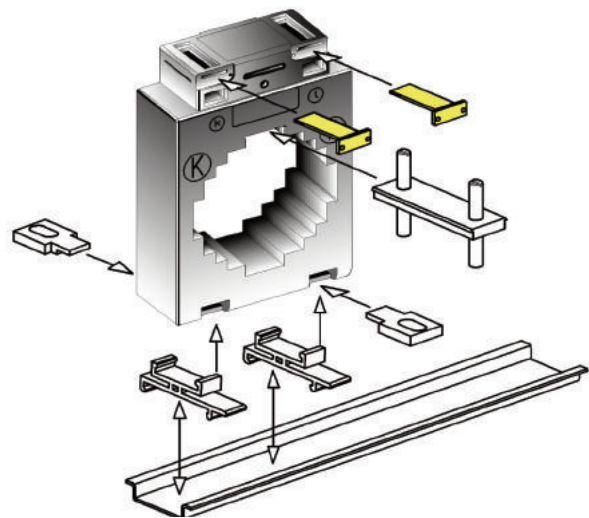
To protect against unintentional contact the bolts of the primary fixing devices can be covered by protective insulation caps. These should be pressed only on the already fastened bolts, not between bolts and bars.



Versatility

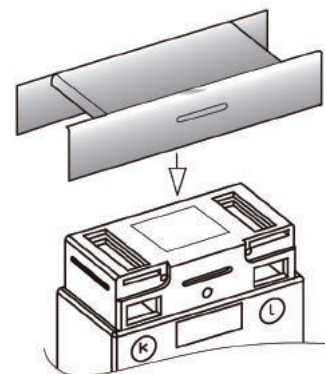
Current transformers are frequently secured with the help of a lug through which a clamping screw fits onto the primary bar. You must have noticed what a nuisance this lug can be, for instance when you want to install the CT behind fuse switch disconnectors, fuse trips or between bar overlaps and exits.

The new current transformer of the CELSA AST-Line have their own solution to this problem. The conventional fixing device has been designed with a form-locking guide so that - if necessary - it can simply be pulled out.



Extended secondary terminal cover

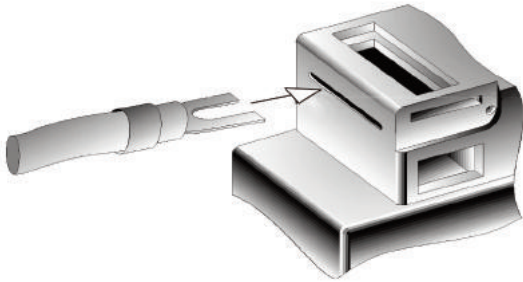
When using the CT as a tube type CT you may wish to increase the air gaps and creepage distances between secondary terminals and primary bars. You can do so by adding protective terminal covers over the CT openings on the front and back as shown.



AST - Current transformers line

Secondary terminal openings.

The connection of secondary wire leads to their corresponding terminals is normally done by sliding them into the rectangular openings on the front or the back. If this way of connection is prohibited for instance due to blocking when mounted right behind a line of fuses the secondary wire leads equipped with clamps can also be introduced into the lateral slots for secondary terminal connection as shown



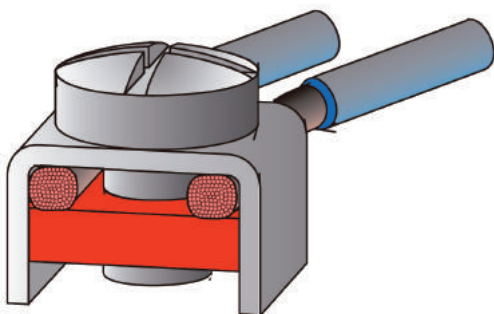
The CELSA Secondary terminal

In this clamping system pressure is transmitted by means of a nut (pad) to the ends of the conductor (lift principle). The conductor is therefore loaded only under pressure and cannot be damaged by rotating components. When opened, there are two clamping spaces of 2.5mm x 4mm each in cross-section.

Thanks to our clamping system the ends of the conductors are clamped over a wide area which ensures lower contact resistance. Pressure forces of several hundred Newtons are reached. In this way conductors even with multiple, fine and extremely fine wires are so well compressed that no harmful gases can penetrate to cause corrosion. It therefore provides an extremely long-lasting connection even in aggressive industrial environment.

The plus-minus slot of the M5 (2 Nm) screws allows easy of handling. At the AST-Line both, screws and nuts are designed in such a way to prevent unintentional loosening.

The secondary terminals are made of brass with nickel as a double terminal construction. This double construction permits a very easy short circuit of the current transformer during operation in order to carry out work on the secondary circuit.



General Features

Of course all AST current transformers comply with EN 60044, DIN VDE 0414, VDE 1000, DIN 42600 as well as the regulations VBG 4, VDE 0106 part 100..

General Mechanical Feature

- unbreakable plastic casing, polyamide
- difficult to inflame, according to UL 94 V0 and selfextinguishing
- nickel-plated secondary terminals with plus minus screws (2 Nm)
- integrated secondary terminal caps

General Electrical Features

- rated frequency 50-60Hz (other frequencies on request)
- class of insulation E (other classes on request)
- rated short-time thermal current $I_{th} = 60 \cdot I_N$
- nominal surge current $I_{dyn} = 2.5 \cdot I_{th}$
- highest voltage for equipment $U_m = 0,72kV$
- rated power-frequency withstand voltage 3kV/1min
- instrument security factor FS5 or FS10

All CELSA current transformers are dimensioned (exceptionell some marked types) in accordance with VDE 0414 for a rated continuous thermal current of $I_D = 1,2 \cdot I_N$.

Included in delivery:

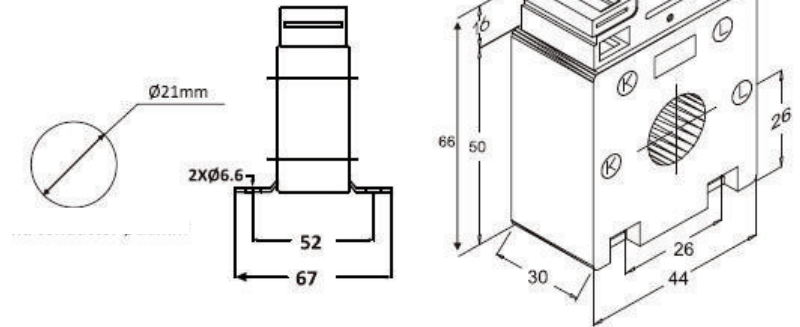
- secondary terminal covers

Accessories:

- primary fixing device or mounting feet
- Mounting feet to DIN Rail
- cost-effective snap-on mounting brackets out of highly reinforced fibre glass macrolon for snapping on a profile mounting bar according to EN 50022-35 and DIN 46277
- copper tubes in various sizes for using a current transformer as a tube type current transformer
- copper primary bars in various sizes
- insulated protective caps for primary fixing bolts
- protective terminal cover to increase the air gaps and creepage distances if using the CT as tube type CT.

CURRENT TRANSFORMERS

ASTR21 - WINDOW CURRENT TRANSFORMER



Dimensions: 44 x 66 x 30 mm

Round conductor: \varnothing 21 mm

ASTR21 Technical Features, Executions

Primary rated current A	sec. 5 A / Rated burdens VA		sec. 1 A / Rated burdens VA	
	Class 0.5	Class 1	Class 0.5	Class 1
50	-	1.25*	-	1.25*
60	-	1.25	-	1.25
75	-	1.25	-	2.5
80	-	2.5	-	2.5
100	1.5	2.5	1.5	5
125	2.5	3.75	2.5	5
150	3.75	5	3.75	-
200	5	5	5	-
250	5	7.5	5	-
300	5	10	5	-
400	3.75	7.5	-	-
500	3.75	7.5	-	-

* only for ammeters

Accessories:

- Mounting feet (2 pieces)

Special executions (On request):

- Other ranges, classes or rated burden VA.

General Mechanical Feature

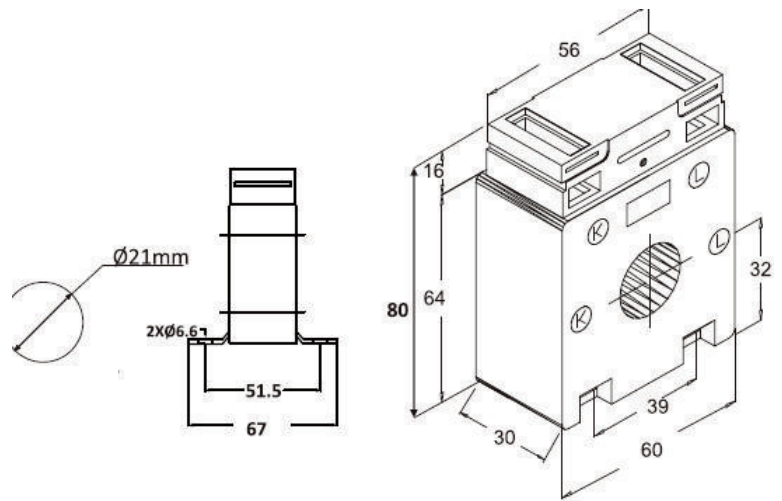
- unbreakable plastic casing, polyamide
- difficult to inflame, according to UL 94 V0 and selfextinguishing
- nickel-plated secondary terminals with plus minus screws (2 Nm)
- integrated secondary terminal caps

General Electrical Features

- rated frequency 50-60Hz (other frequencies on request)
- class of insulation E (other classes on request)
- rated short-time thermal current $I_{th} = 60 \cdot I_N$
- nominal surge current $I_{dyn} = 2.5 \cdot I_{th}$
- highest voltage for equipment $U_m = 0,72kV$ (other voltages on request)
- rated power-frequency withstand voltage 3kV/1 min
- instrument security factor FS5 or FS10

CURRENT TRANSFORMERS

ASTMR21 - WINDOW CURRENT TRANSFORMER



Dimensions: 60 x 80 x 30 mm

Round conductor: Ø 21 mm

ASTMR21 Technical Features, Executions

Primary rated current A	sec. 5 A / Rated burdens VA		sec. 1 A / Rated burdens VA	
	Class 0.5	Class 1	Class 0.5	Class 1
50	-	1	-	-
60	-	1.25	-	-
75	-	2.5	-	-
80	-	3.75	-	-
100	2.5	5	2.5	5
125	2.5	5	2.5	5
150	3.75	7.5	3.75	7.5
200	5	10	5	10
250	5	10	5	10
300	7.5	10	7.5	-
400	7.5	7.5	7.5	-
500	5	10	-	-

Accesories:

- Mounting feet (2 pieces)

Special executions (On request):

- Other ranges, classes or rated burden VA.

General Mechanical Feature

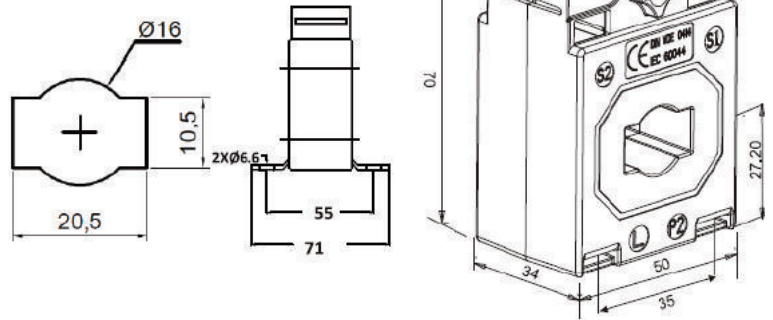
- unbreakable plastic casing, polyamide
- difficult to inflame, according to UL 94 V0 and selfextinguishing
- nickel-plated secondary terminals with plus minus screws (2 Nm)
- integrated secondary terminal caps

General Electrical Features

- rated frequency 50-60Hz (other frequencies on request)
- class of insulation E (other classes on request)
- rated short-time thermal current $I_{th} = 60 \cdot I_N$
- nominal surge current $I_{dyn} = 2.5 \cdot I_{th}$
- highest voltage for equipment $U_m = 0,72kV$ (other voltages on request)
- rated power-frequency withstand voltage 3kV/1min
- instrument security factor FS5 or FS10

CURRENT TRANSFORMERS

AST210s - WINDOW CURRENT TRANSFORMER



Dimensions: 50 x 70 x 34 mm

Round conductor: \varnothing 16 mm

Primary bar: 20 x 10 mm

AST210s Technical Features, Executions

Primary rated current A	sec. 5 A / Rated burdens VA	
	Class 0.5	Class 1
50	-	1.5
60	-	1.25
75	1.5	1.5
80	3.75	3.75
100	3.75	5
125	3.75	5
150	3.75	7.5
200	5	7.5
250	5	7.5
300	5	10

Accessories (please indicate in the order):

- Mounting feet (2 pieces)

or

- primary fixing device

Special executions (On request):

- Other ranges, classes or rated burden VA.

General Mechanical Feature

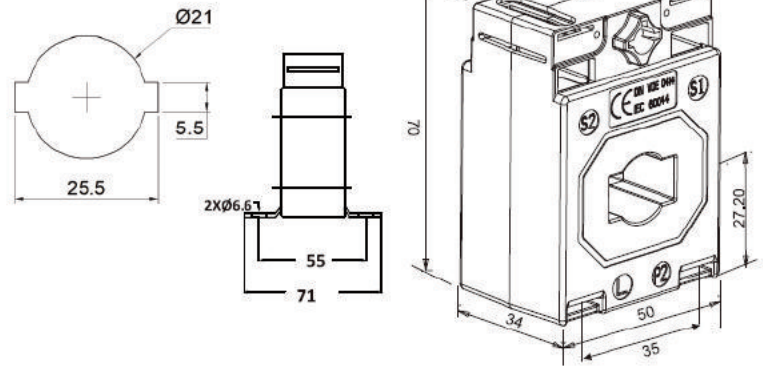
- unbreakable plastic casing, polyamide
- difficult to inflame, according to UL 94 V0 and selfextinguishing
- nickel-plated secondary terminals with plus minus screws (2 Nm)
- integrated secondary terminal caps

General Electrical Features

- rated frequency 50-60Hz (other frequencies on request)
- class of insulation E (other classes on request)
- rated short-time thermal current $I_{th} = 60 \cdot I_N$
- nominal surge current $I_{dyn} = 2.5 \cdot I_{th}$
- highest voltage for equipment $U_m = 0,72kV$ (other voltages on request)
- rated power-frequency withstand voltage 3kV/1min
- instrument security factor FS5 or FS10

CURRENT TRANSFORMERS

AST255s - WINDOW CURRENT TRANSFORMER



Dimensions:	50 x 70 x 34 mm
Round conductor:	Ø 21 mm
Primary bar:	25 x 5 mm

AST255s Technical Features, Executions

Primary rated current A	sec. 5 A / Rated burdens VA	
	Class 0.5	Class 1
50	-	1.25
60	-	1.25
75	-	1.5
80	-	3.75
100	3.75	5
125	3.75	5
150	3.75	7.5
200	5	7.5
250	5	10
300	5	10

Accessories (included in the delivery):

- Mounting feet (2 pieces)

Special executions (On request):

- Other ranges, classes or rated burden VA.

General Mechanical Feature

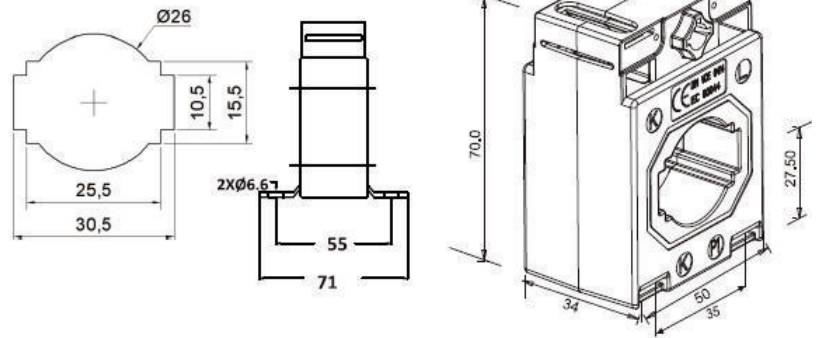
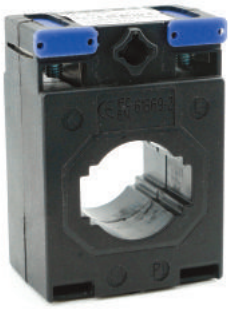
- unbreakable plastic casing, polyamide
- difficult to inflame, according to UL 94 V0 and selfextinguishing
- nickel-plated secondary terminals with plus minus screws (2 Nm)
- integrated secondary terminal caps

General Electrical Features

- rated frequency 50-60Hz (other frequencies on request)
- class of insulation E (other classes on request)
- rated short-time thermal current $I_{th} = 60 \cdot I_N$
- nominal surge current $I_{dyn} = 2.5 \cdot I_{th}$
- highest voltage for equipment $U_m = 0,72kV$ (other voltages on request)
- rated power-frequency withstand voltage 3kV/1min
- instrument security factor FS5 or FS10

CURRENT TRANSFORMERS

AST310s - WINDOW CURRENT TRANSFORMER



Dimensions: 50 x 70 x 34 mm

Round conductor: Ø 26 mm

Primary bar: 30 x 10 mm

AST310s Technical Features, Executions

Primary rated current A	sec. 5 A / Rated burdens VA		sec. 1 A / Rated burdens VA
	Class 0.5	Class 1	Class 1
100	-	2.5	2.5
125	-	2.5	2.5
150	-	2.5	2.5
200	2.5	5	5
250	3.75	5	5
300	3.75	5	5
400	5	5	5

Accessories (please indicate in the order):

- Mounting feet (2 pieces)

or

- primary fixing device

Special executions (On request):

- Other ranges, classes or rated burden VA.

General Mechanical Feature

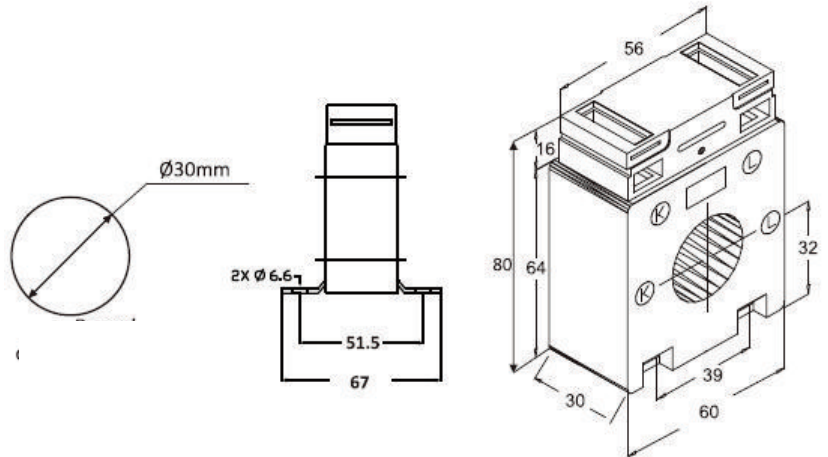
- unbreakable plastic casing, polyamide
- difficult to inflame, according to UL 94 V0 and selfextinguishing
- nickel-plated secondary terminals with plus minus screws (2 Nm)
- integrated secondary terminal caps

General Electrical Features

- rated frequency 50-60Hz (other frequencies on request)
- class of insulation E (other classes on request)
- rated short-time thermal current $I_{th} = 60 \cdot I_N$
- nominal surge current $I_{dyn} = 2.5 \cdot I_{th}$
- highest voltage for equipment $U_m = 0,72kV$ (other voltages on request)
- rated power-frequency withstand voltage 3kV/1min
- instrument security factor FS5 or FS10

CURRENT TRANSFORMERS

AST3R30 - WINDOW CURRENT TRANSFORMER



Dimensions: 60 x 80 x 30 mm

Round conductor: Ø 30 mm

AST3R30 Technical Features, Executions

Primary rated current A	sec. 5 A / Rated burdens VA		sec. 1 A / Rated burdens VA	
	Class 0.5	Class 1	Class 0.5	Class 1
100	-	2.5	-	2.5
125	-	2.5	-	2.5
150	2.5	5	2.5	5
200	5	7.5	5	5
250	5	10	5	10
300	7.5	10	7.5	10
400	10	10	10	10
500	10	10	10	10
600	7.5	10	-	-
700	-	10	-	-
800	-	10	-	-

Accessories:

- Mounting feet (2 pieces)

Special executions (On request):

- Other ranges, classes or rated burden VA.

General Mechanical Feature

- unbreakable plastic casing, polyamide
- difficult to inflame, according to UL 94 V0 and selfextinguishing
- nickel-plated secondary terminals with plus minus screws (2 Nm)
- integrated secondary terminal caps

General Electrical Features

- rated frequency 50-60Hz (other frequencies on request)
- class of insulation E (other classes on request)
- rated short-time thermal current $I_{th} = 60 \cdot I_N$
- nominal surge current $I_{dyn} = 2.5 \cdot I_{th}$
- highest voltage for equipment $U_m = 0,72kV$ (other voltages on request)
- rated power-frequency withstand voltage 3kV/1min
- instrument security factor FS5 or FS10

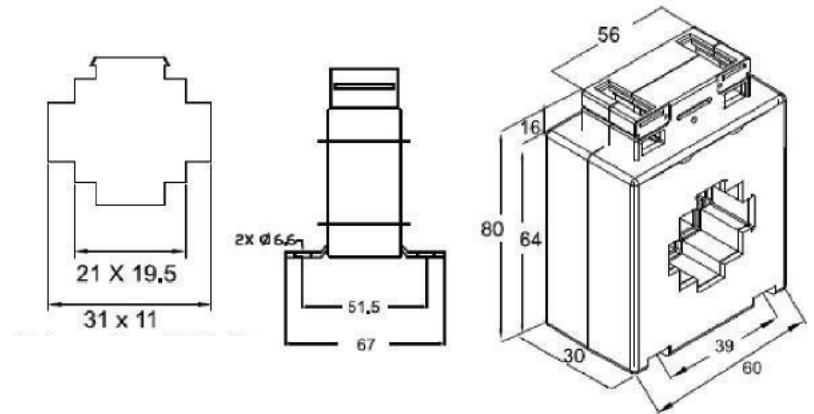
CURRENT TRANSFORMERS

AST310 - WINDOW CURRENT TRANSFORMER



Dimensions: 60 x 80 x 30 mm

Primary bar: 30 x 10 mm



AST310 Technical Features, Executions

Primary rated current A	sec. 5 A / Rated burdens VA		sec. 1 A / Rated burdens VA	
	Class 0.5	Class 1	Class 0.5	Class 1
50	-	-	-	-
100	-	2.5	-	2.5
125	2.5	2.5	2.5	2.5
150	5	5	5	5
200	5	7.5	5	5
250	10	10	10	7.5
300	10	10	10	10
400	10	10	-	10
500	15	15	-	10
600	15	15	-	-
700	10	10	-	-
750	10	10	-	-
800	10	10	-	-

* class 3 / 1.25VA

Accessories (please indicate in the order):

- Mounting feet (2 pieces)
- or
- primary fixing device

Special executions (On request):

- Other ranges, classes or rated burden VA.

General Mechanical Feature

- unbreakable plastic casing, polyamide
- difficult to inflame, according to UL 94 V0 and selfextinguishing
- nickel-plated secondary terminals with plus minus screws (2 Nm)
- integrated secondary terminal caps

General Electrical Features

- rated frequency 50-60Hz (other frequencies on request)
- class of insulation E (other classes on request)
- rated short-time thermal current $I_{th} = 60 \cdot I_N$
- nominal surge current $I_{dyn} = 2.5 \cdot I_{th}$
- highest voltage for equipment $U_m = 0,72kV$ (other voltages on request)
- rated power-frequency withstand voltage 3kV/1min
- instrument security factor FS5 or FS10

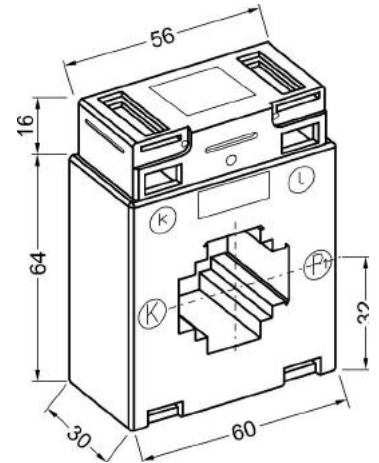
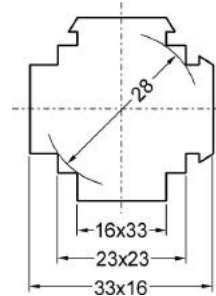
CURRENT TRANSFORMERS

AST315 - WINDOW CURRENT TRANSFORMER



Dimensions: 60 x 80 x 30 mm

Primary bar: 30 x 15 mm



AST315 Technical Features, Executions

Primary rated current A	sec. 5 A / Rated burdens VA		sec. 1 A / Rated burdens VA	
	Class 0.5	Class 1	Class 0.5	Class 1
50	-	1.25 *	-	-
60	-	1.25	-	-
75	-	1.25	-	2.5
80	-	1.25	-	2.5
100	-	2.5	1.25	2.5
125	-	3.75	1.25	3.75
150	1.25	3.75	2.5	5
200	3.75	3.75	3.75	5
250	5	7.5	5	7.5
300	7.5	7.5	7.5	10
400	7.5	10	10	10
500	7.5	10	10	10
600	10	10	10	15
700	10	10	10	15
750	15	20	15	15

* class 3

Accessories (please indicate in the order):

- Mounting feet (2 pieces)

or

- primary fixing device

Special executions (On request):

- Other ranges, classes or rated burden VA.

General Mechanical Feature

- unbreakable plastic casing, polyamide
- difficult to inflame, according to UL 94 V0 and selfextinguishing
- nickel-plated secondary terminals with plus minus screws (2 Nm)
- integrated secondary terminal caps

General Electrical Features

- rated frequency 50-60Hz (other frequencies on request)
- class of insulation E (other classes on request)
- rated short-time thermal current $I_{th} = 60 \cdot I_N$
- nominal surge current $I_{dyn} = 2.5 \cdot I_{th}$.
- highest voltage for equipment $U_m = 0,72kV$ (other voltages on request)
- rated power-frequency withstand voltage 3kV/1min
- instrument security factor FS5 or FS10

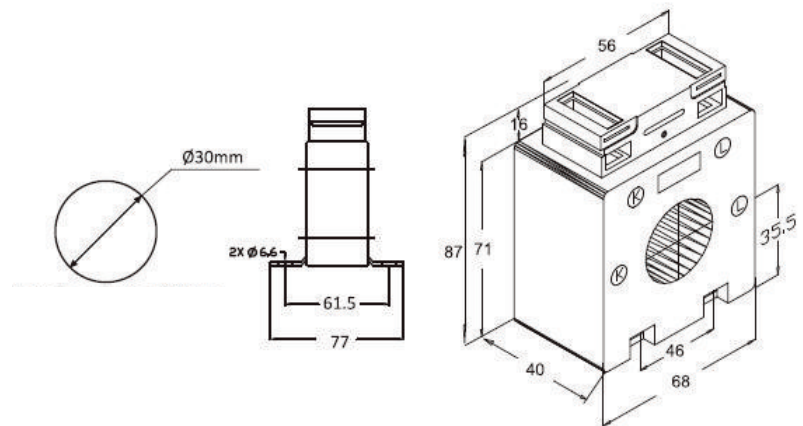
CURRENT TRANSFORMERS

AST4R30 - WINDOW CURRENT TRANSFORMER



Dimensions: 68 x 87 x 40 mm

Round conductor: Ø 30 mm



AST4R30 Technical Features, Executions

Primary rated current A	sec. 5 A / Rated burdens VA		sec. 1 A / Rated burdens VA	
	Class 0.5	Class 1	Class 0.5	Class 1
60	-	1.25	-	-
75	-	2.5	-	1
80	-	2.5	-	2.5
100	2.5	5	-	5
125	3.75	5	-	5
150	3.75	10	5	10
200	5	15	5	10
250	5	15	5	15
300	10	15	10	15
400	10	15	10	15
500	15	15	15	-
600	15	15	15	-

Accessories:

- Mounting feet (2 pieces)

Special executions (On request):

- Other ranges, classes or rated burden VA.

General Mechanical Feature

- unbreakable plastic casing, polyamide
- difficult to inflame, according to UL 94 V0 and selfextinguishing
- nickel-plated secondary terminals with plus minus screws (2 Nm)
- integrated secondary terminal caps

General Electrical Features

- rated frequency 50-60Hz (other frequencies on request)
- class of insulation E (other classes on request)
- rated short-time thermal current $I_{th} = 60 \cdot I_N$
- nominal surge current $I_{dyn} = 2.5 \cdot I_{th}$
- highest voltage for equipment $U_m = 0,72kV$ (other voltages on request)
- rated power-frequency withstand voltage 3kV/1min
- instrument security factor FS5 or FS10

CURRENT TRANSFORMERS

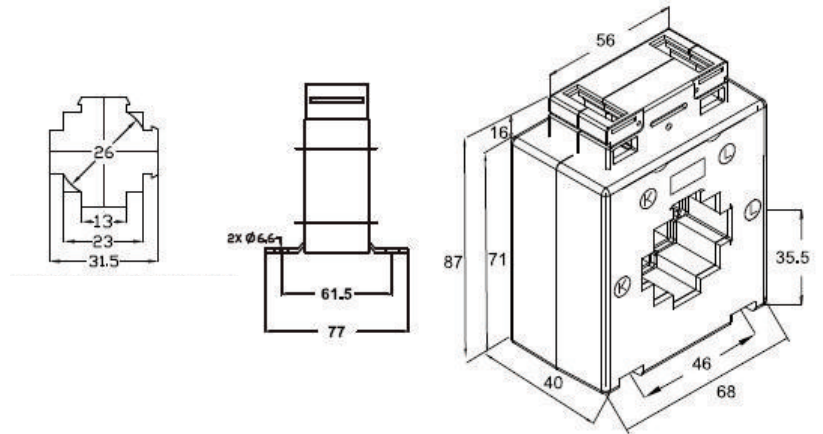
AST4B312 - WINDOW CURRENT TRANSFORMER



Dimensions: 68 x 87 x 34 mm

Round conductor: Ø 26 mm

Primary bar: 30 x 10 mm



AST4B312 Technical Features, Executions

Primary rated current A	sec. 5 A / Rated burdens VA		sec. 1 A / Rated burdens VA	
	Class 0.5	Class 1	Class 0.5	Class 1
60	-	1.25	-	-
75	-	1.5	-	-
80	-	1.5	-	-
100	-	5	-	5
125	-	5	-	5
150	5	10	5	5
200	5	10	5	10
250	5	15	5	10
300	10	15	10	15
400	10	15	10	15
500	15	15	15	-
600	15	15	15	-

Accesories (please indicate in the order):

- Mounting feet (2 pieces)

or

- primary fixing device

Special executions (On request):

- Other ranges, classes or rated burden VA.

General Mechanical Feature

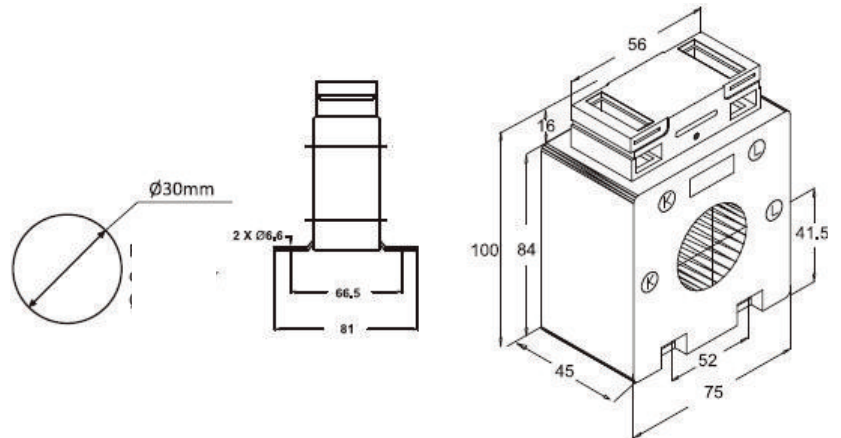
- unbreakable plastic casing, polyamide
- difficult to inflame, according to UL 94 V0 and selfextinguishing
- nickel-plated secondary terminals with plus minus screws (2 Nm)
- integrated secondary terminal caps

General Electrical Features

- rated frequency 50-60Hz (other frequencies on request)
- class of insulation E (other classes on request)
- rated short-time thermal current $I_{th} = 60 \cdot I_N$
- nominal surge current $I_{dyn} = 2.5 \cdot I_{th}$
- highest voltage for equipment $U_m = 0,72kV$ (other voltages on request)
- rated power-frequency withstand voltage 3kV/1min
- instrument security factor FS5 or FS10

CURRENT TRANSFORMERS

AST5R30 - WINDOW CURRENT TRANSFORMER



Dimensions: 75 x 100 x 45 mm

Round conductor: Ø 30 mm

AST5R30 Technical Features, Executions

Primary rated current A	sec. 5 A / Rated burdens VA		sec. 1 A / Rated burdens VA	
	Class 0.5	Class 1	Class 0.5	Class 1
50	-	1	-	-
60	-	1.25	-	-
75	-	2.5	-	-
80	-	2.5	-	-
100	-	7.5	-	5
125	3.75	10	3.75	5
150	5	15	5	7.5
200	7.5	15	10	10
250	10	15	10	15
300	10	15	10	15
400	10	15	10	15
500	10	15	10	-
600	10	15	10	-

Accessories:

- Mounting feet (2 pieces)

Special executions (On request):

- Other ranges, classes or rated burden VA.

General Mechanical Feature

- unbreakable plastic casing, polyamide
- difficult to inflame, according to UL 94 V0 and selfextinguishing
- nickel-plated secondary terminals with plus minus screws (2 Nm)
- integrated secondary terminal caps

General Electrical Features

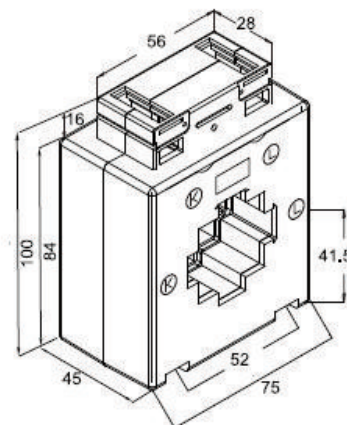
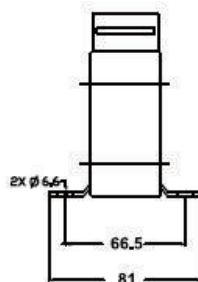
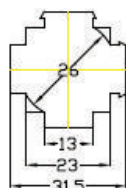
- rated frequency 50-60Hz (other frequencies on request)
- class of insulation E (other classes on request)
- rated short-time thermal current $I_{th} = 60 \cdot I_N$
- nominal surge current $I_{dyn} = 2.5 \cdot I_{th}$
- highest voltage for equipment $U_m = 0,72kV$ (other voltages on request)
- rated power-frequency withstand voltage 3kV/1min
- instrument security factor FS5 or FS10

CURRENT TRANSFORMERS

AST5B312 - WINDOW CURRENT TRANSFORMER



Dimensions:	75 x 100 x 45 mm
Round conductor:	Ø 26 mm
Primary bar:	30 x 10 mm



AST5B312 Technical Features, Executions

Primary rated current A	sec. 5 A / Rated burdens VA		sec. 1 A / Rated burdens VA	
	Class 0.5	Class 1	Class 0.5	Class 1
50	-	1.25	-	-
60	-	1.5	-	-
75	-	2.5	-	-
80	-	5	-	-
100	3.75	7.5	3.75	3.75
125	5	10	5	5
150	7.5	15	7.5	10
200	10	15	10	10
250	5	15	5	15
300	10	15	10	10
400	10	15	10	10
500	10	15	10	10
600	10	15	10	10

Accessories (please indicate in the order):

- Mounting feet (2 pieces)
- or
- primary fixing device

Special executions (On request):

- Other ranges, classes or rated burden VA.

General Mechanical Feature

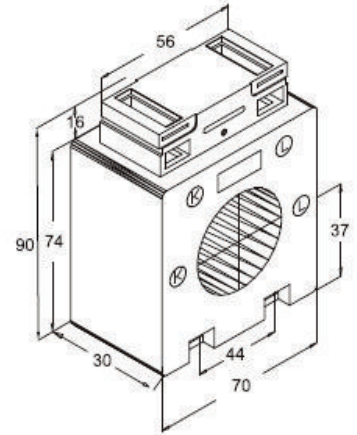
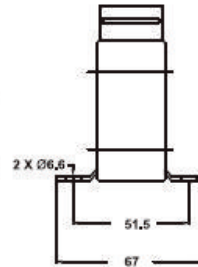
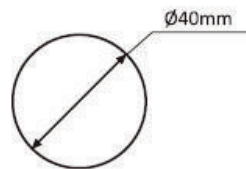
- unbreakable plastic casing, polyamide
- difficult to inflame, according to UL 94 V0 and selfextinguishing
- nickel-plated secondary terminals with plus minus screws (2 Nm)
- integrated secondary terminal caps

General Electrical Features

- rated frequency 50-60Hz (other frequencies on request)
- class of insulation E (other classes on request)
- rated short-time thermal current $I_{th} = 60 \cdot I_N$
- nominal surge current $I_{dyn} = 2.5 \cdot I_{th}$.
- highest voltage for equipment $U_m = 0,72kV$ (other voltages on request)
- rated power-frequency withstand voltage 3kV/1min
- instrument security factor FS5 or FS10

CURRENT TRANSFORMERS

AST4R40 - WINDOW CURRENT TRANSFORMER



Dimensions: 70 x 90 x 30 mm

Round conductor: Ø 40 mm

AST4R40 Technical Features, Executions

Primary rated current A	sec. 5 A / Rated burdens VA		sec. 1 A / Rated burdens VA	
	Class 0.5	Class 1	Class 0.5	Class 1
150	-	1.5	-	1.5
200	1.5	5	1.5	5
250	2.5	7.5	2.5	7.5
300	5	7.5	5	10
400	10	10	10	10
500	10	10	10	10
600	-	10	-	10
750	-	10	-	-
800	-	10	-	-
1000	-	10	-	-

Accessories:

- Mounting feet (2 pieces)

Special executions (On request):

- Other ranges, classes or rated burden VA.

General Mechanical Feature

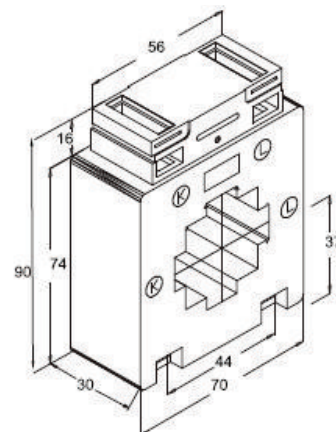
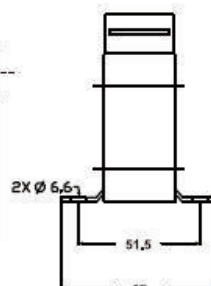
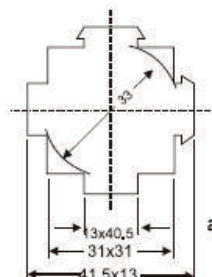
- unbreakable plastic casing, polyamide
- difficult to inflame, according to UL 94 V0 and selfextinguishing
- nickel-plated secondary terminals with plus minus screws (2 Nm)
- integrated secondary terminal caps

General Electrical Features

- rated frequency 50-60Hz (other frequencies on request)
- class of insulation E (other classes on request)
- rated short-time thermal current $I_{th} = 60 \cdot I_N$
- nominal surge current $I_{dyn} = 2.5 \cdot I_{th}$
- highest voltage for equipment $U_m = 0,72kV$ (other voltages on request)
- rated power-frequency withstand voltage 3kV/1min
- instrument security factor FS5 or FS10

CURRENT TRANSFORMERS

AST412 - WINDOW CURRENT TRANSFORMER



Dimensions:	70 x 90 x 30 mm
Round conductor:	Ø 33 mm
Primary bar:	40x 13 mm 2 x 30 x 10 mm

AST412 Technical Features, Executions

Primary rated current A	sec. 5 A / Rated burdens VA		sec. 1 A / Rated burdens VA	
	Class 0.5	Class 1	Class 0.5	Class 1
125	1.25	1.5	1.25	1.5
150	2.5	5	2.5	5
200	3.75	5	3.75	5
250	5	7.5	5	7.5
300	5	7.5	5	7.5
400	7.5	10	7.5	10
500	7.5	10	7.5	10
600	10	15	10	-
750	10	15	10	-
800	10	15	-	-
1000	10	20	-	-

Accessories (please indicate in the order):

- Mounting feet (2 pieces)
- or
- primary fixing device

Special executions (On request):

- Other ranges, classes or rated burden VA.

General Mechanical Feature

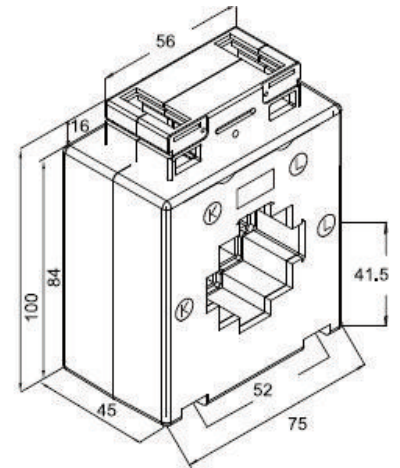
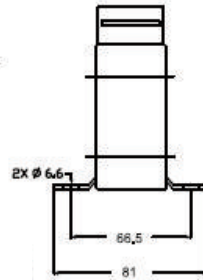
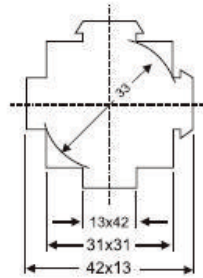
- unbreakable plastic casing, polyamide
- difficult to inflame, according to UL 94 V0 and selfextinguishing
- nickel-plated secondary terminals with plus minus screws (2 Nm)
- integrated secondary terminal caps

General Electrical Features

- rated frequency 50-60Hz (other frequencies on request)
- class of insulation E (other classes on request)
- rated short-time thermal current $I_{th} = 60 \cdot I_N$
- nominal surge current $I_{dyn} = 2.5 \cdot I_{th}$
- highest voltage for equipment $U_m = 0,72kV$ (other voltages on request)
- rated power-frequency withstand voltage 3kV/1min
- instrument security factor FS5 or FS10

CURRENT TRANSFORMERS

AST5B412 - WINDOW CURRENT TRANSFORMER



Dimensions: 75 x 100 x 45 mm

Round conductor: Ø 33 mm

Primary bar: 40 x 13 mm
2 x 30 x 10 mm

AST5B412 Technical Features, Executions

Primary rated current A	sec. 5 A / Rated burdens VA		sec. 1 A / Rated burdens VA	
	Class 0.5	Class 1	Class 0.5	Class 1
75	-	1.5	-	-
80	-	1.5	-	-
100	2.5	3.75	-	-
125	2.5	5	2.5	5
150	5	10	5	7.5
200	5	15	5	10
250	10	15	10	10
300	10	15	10	15
400	10	15	10	15
500	10	15	10	15
600	10	15	10	15

Accessories (please indicate in the order):

- Mounting feet (2 pieces)

or

- primary fixing device

Special executions (On request):

- Other ranges, classes or rated burden VA.

General Mechanical Feature

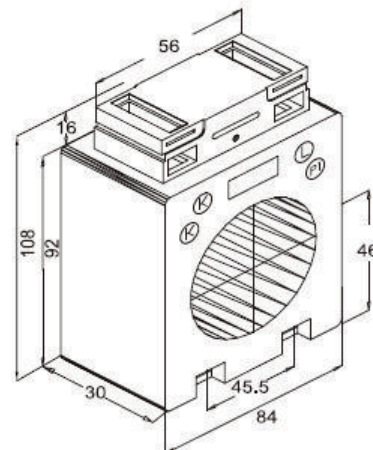
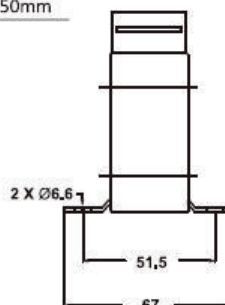
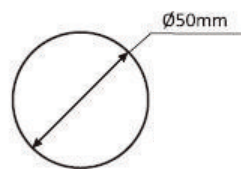
- unbreakable plastic casing, polyamide
- difficult to inflame, according to UL 94 V0 and selfextinguishing
- nickel-plated secondary terminals with plus minus screws (2 Nm)
- integrated secondary terminal caps

General Electrical Features

- rated frequency 50-60Hz (other frequencies on request)
- class of insulation E (other classes on request)
- rated short-time thermal current $I_{th} = 60 \cdot I_N$
- nominal surge current $I_{dyn} = 2.5 \cdot I_{th}$
- highest voltage for equipment $U_m = 0,72kV$ (other voltages on request)
- rated power-frequency withstand voltage 3kV/1min
- instrument security factor FS5 or FS10

CURRENT TRANSFORMERS

AST5R50 - WINDOW CURRENT TRANSFORMER



Dimensions: 84 x 108 x 30 mm

Round conductor: Ø 50 mm

AST5R50 Technical Features, Executions

Primary rated current A	sec. 5 A / Rated burdens VA		sec. 1 A / Rated burdens VA	
	Class 0.5	Class 1	Class 0.5	Class 1
100	-	1	-	-
125	-	1.25	-	-
150	-	2.5	-	-
200	-	5	-	5
250	2.5	7.5	2.5	5
300	5	15	5	10
400	7.5	15	7.5	10
500	10	15	10	15
600	10	15	10	15
750	15	15	15	15
800	15	15	15	15
1000	15	15	15	15
1250	15	15	15	15
1500	-	15	-	-

Accessories:

- Mounting feet (2 pieces)

Special executions (On request):

- Other ranges, classes or rated burden VA.

General Mechanical Feature

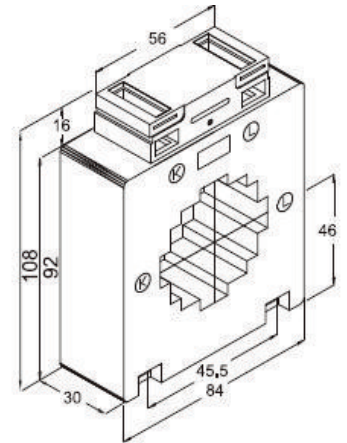
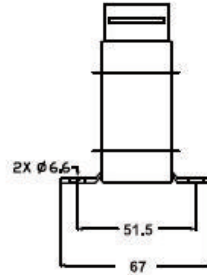
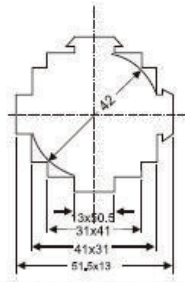
- unbreakable plastic casing, polyamide
- difficult to inflame, according to UL 94 V0 and selfextinguishing
- nickel-plated secondary terminals with plus minus screws (2 Nm)
- integrated secondary terminal caps

General Electrical Features

- rated frequency 50-60Hz (other frequencies on request)
- class of insulation E (other classes on request)
- rated short-time thermal current $I_{th} = 60 \cdot I_N$
- nominal surge current $I_{dyn} = 2.5 \cdot I_{th}$
- highest voltage for equipment $U_m = 0,72kV$ (other voltages on request)
- rated power-frequency withstand voltage 3kV/1min
- instrument security factor FS5 or FS10

CURRENT TRANSFORMERS

AST512 - WINDOW CURRENT TRANSFORMER



Dimensions:	84 x 108 x 30 mm
Round conductor:	Ø 42 mm
Primary bar:	50 x 13 mm 2 x 10 x 10 mm

AST512 Technical Features, Executions

Primary rated current A	sec. 5 A / Rated burdens VA		sec. 1 A / Rated burdens VA	
	Class 0.5	Class 1	Class 0.5	Class 1
100	-	1.25	-	1.25
125	-	1.25	-	2.5
150	-	1.25	-	2.5
200	-	5	-	5
250	2.5	7.5	2.5	5
300	5	10	5	10
400	7.5	15	7.5	15
500	15	15	15	15
600	15	15	15	15
750	15	10	15	15
800	15	15	15	15
1000	15	20	15	15
1250	15	20	15	-
1500	-	15	-	-

Accessories (please indicate in the order):

- Mounting feet (2 pieces)
- or
- primary fixing device

Special executions (On request):

- Other ranges, classes or rated burden VA.

General Mechanical Feature

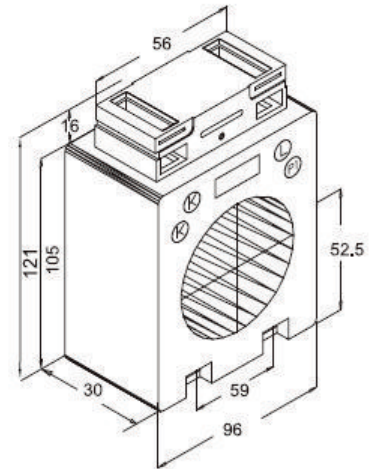
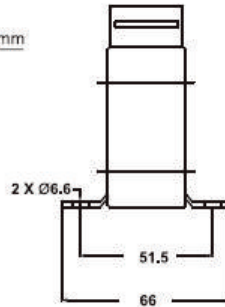
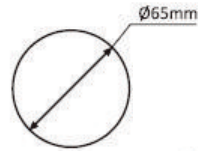
- unbreakable plastic casing, polyamide
- difficult to inflame, according to UL 94 V0 and selfextinguishing
- nickel-plated secondary terminals with plus minus screws (2 Nm)
- integrated secondary terminal caps

General Electrical Features

- rated frequency 50-60Hz (other frequencies on request)
- class of insulation E (other classes on request)
- rated short-time thermal current $I_{th} = 60 \cdot I_N$
- nominal surge current $I_{dyn} = 2.5 \cdot I_{th}$
- highest voltage for equipment $U_m = 0,72kV$ (other voltages on request)
- rated power-frequency withstand voltage 3kV/1min
- instrument security factor FS5 or FS10

CURRENT TRANSFORMERS

AST6R65 - WINDOW CURRENT TRANSFORMER



Dimensions: 96 x 121 x 30 mm

Round conductor: Ø 65 mm

AST6R65 Technical Features, Executions

Primary rated current A	sec. 5 A / Rated burdens VA		sec. 1 A / Rated burdens VA	
	Class 0.5	Class 1	Class 0.5	Class 1
200	-	2.5	-	2.5
250	-	5	-	5
300	5	5	5	5
400	5	10	5	10
500	10	15	10	15
600	15	15	15	15
750	15	15	15	15
800	15	15	15	15
1000	15	15	15	15
1250	15	15	15	15
1500	15	15	15	15
1600	15	15	15	15
2000	-	15	-	-

Accessories:

- Mounting feet (2 pieces)

Special executions (On request):

- Other ranges, classes or rated burden VA.

General Mechanical Feature

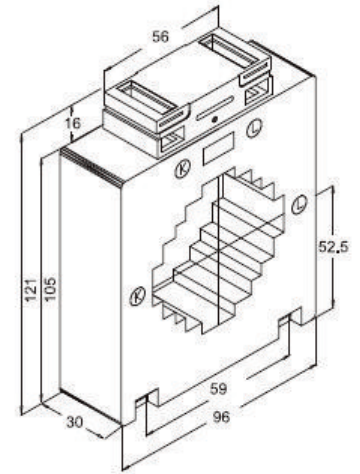
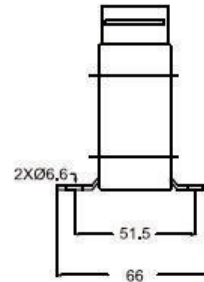
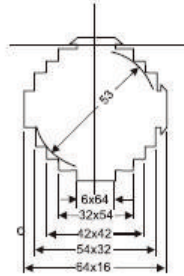
- unbreakable plastic casing, polyamide
- difficult to inflame, according to UL 94 V0 and selfextinguishing
- nickel-plated secondary terminals with plus minus screws (2 Nm)
- integrated secondary terminal caps

General Electrical Features

- rated frequency 50-60Hz (other frequencies on request)
- class of insulation E (other classes on request)
- rated short-time thermal current $I_{th} = 60 \cdot I_N$
- nominal surge current $I_{dyn} = 2.5 \cdot I_{th}$
- highest voltage for equipment $U_m = 0,72kV$ (other voltages on request)
- rated power-frequency withstand voltage 3kV/1min
- instrument security factor FS5 or FS10

CURRENT TRANSFORMERS

AST615 - WINDOW CURRENT TRANSFORMER



Dimensions:	96 x 121 x 30 mm
Round conductor:	Ø 53 mm
Primary bar:	60 x 15 mm 2 x 50 x 10 mm 40 x 40 mm

AST615 Technical Features, Executions

Primary rated current A	sec. 5 A / Rated burdens VA		sec. 1 A / Rated burdens VA	
	Class 0.5	Class 1	Class 0.5	Class 1
200	-	2.5	-	2.5
250	2.5	5	2.5	5
300	2.5	5	2.5	5
400	5	10	5	7.5
500	7.5	15	7.5	10
600	10	15	10	15
750	15	15	15	15
800	15	15	15	15
1000	15	20	10	10
1250	15	15	15	-
1500	15	15	15	-
1600	15	20	15	15
2000	30	15	30	-

Accessories (please indicate in the order):

- Mounting feet (2 pieces)
- or
- primary fixing device

Special executions (On request):

- Other ranges, classes or rated burden VA.

General Mechanical Feature

- unbreakable plastic casing, polyamide
- difficult to inflame, according to UL 94 V0 and selfextinguishing
- nickel-plated secondary terminals with plus minus screws (2 Nm)
- integrated secondary terminal caps

General Electrical Features

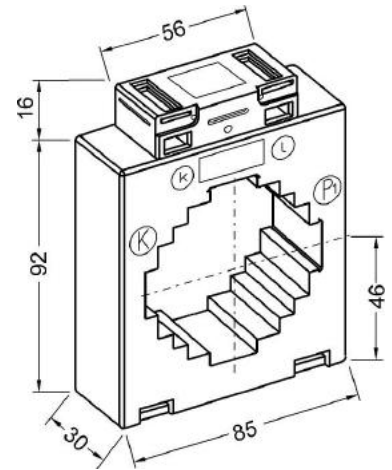
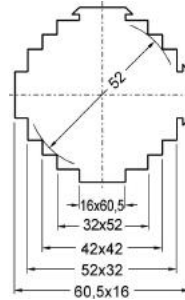
- rated frequency 50-60Hz (other frequencies on request)
- class of insulation E (other classes on request)
- rated short-time thermal current $I_{th} = 60 \cdot I_N$
- nominal surge current $I_{dyn} = 2.5 \cdot I_{th}$
- highest voltage for equipment $U_m = 0,72kV$ (other voltages on request)
- rated power-frequency withstand voltage 3kV/1min
- instrument security factor FS5 or FS10

CURRENT TRANSFORMERS

AST615.5 - WINDOW CURRENT TRANSFORMER



Dimensions:	84 x 108 x 30 mm
Round conductor:	Ø 52 mm
Primary bar:	60 x 15 mm 2 x 50 x 10 mm 40 x 40 mm



AST615.5 Technical Features, Executions

Primary rated current A	sec. 5 A / Rated burdens VA		sec. 1 A / Rated burdens VA	
	Class 0.5	Class 1	Class 0.5	Class 1
200	1.25	3.75		
250	2.5	5		
300	3.75	5	3.75	5
400	5	7.5	5	7.5
500	10	10	10	10
600	10	10	10	10
750	15	15	15	15
800	15	15	15	15
1000	15	15	15	15
1250	20	20	15	15
1500	20	25	-	-
1600	25	30	-	-

Accessories (please indicate in the order):

- Mounting feet (2 pieces)
- or
- primary fixing device

Special executions (On request):

- Other ranges, classes or rated burden VA.

General Mechanical Feature

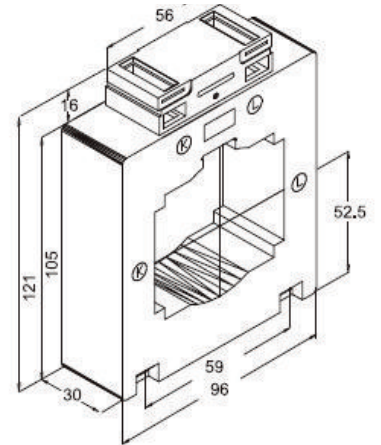
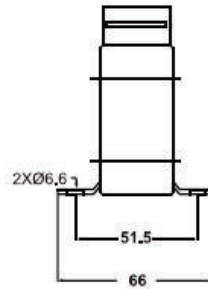
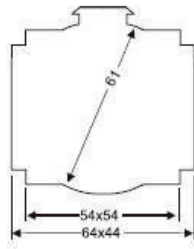
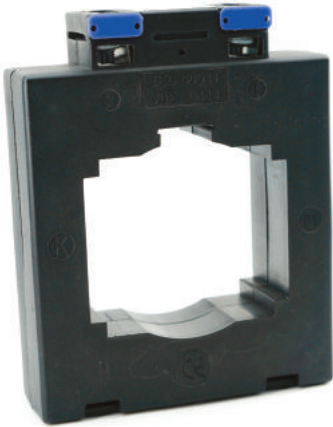
- unbreakable plastic casing, polyamide
- difficult to inflame, according to UL 94 V0 and selfextinguishing
- nickel-plated secondary terminals with plus minus screws (2 Nm)
- integrated secondary terminal caps

General Electrical Features

- rated frequency 50-60Hz (other frequencies on request)
- class of insulation E (other classes on request)
- rated short-time thermal current $I_{th} = 60 \cdot I_N$
- nominal surge current $I_{dyn} = 2.5 \cdot I_{th}$
- highest voltage for equipment $U_m = 0,72kV$ (other voltages on request)
- rated power-frequency withstand voltage 3kV/1min
- instrument security factor FS5 or FS10

CURRENT TRANSFORMERS

AST640 - WINDOW CURRENT TRANSFORMER



Dimensions: 96 x 121 x 30 mm

Round conductor: Ø 61 mm

Primary bar: 60 x 40 mm
3 x 60 x 10 mm
3 x 50 x 10 mm

AST640 Technical Features, Executions

Primary rated current A	sec. 5 A / Rated burdens VA		sec. 1 A / Rated burdens VA	
	Class 0.5	Class 1	Class 0.5	Class 1
200	-	2.5	-	-
250	-	5	-	2.5
300	5	5	-	5
400	3.75	7.5	3.75	5
500	5	10	5	10
600	10	15	10	15
750	10	15	10	15
800	15	15	15	15
1000	15	15	15	15
1250	15	15	15	-
1500	15	15	15	-
1600	15	20	15	-
2000	-	15	-	-

Accessories (please indicate in the order):

- Mounting feet (2 pieces)

or

- primary fixing device

Special executions (On request):

- Other ranges, classes or rated burden VA.

General Mechanical Feature

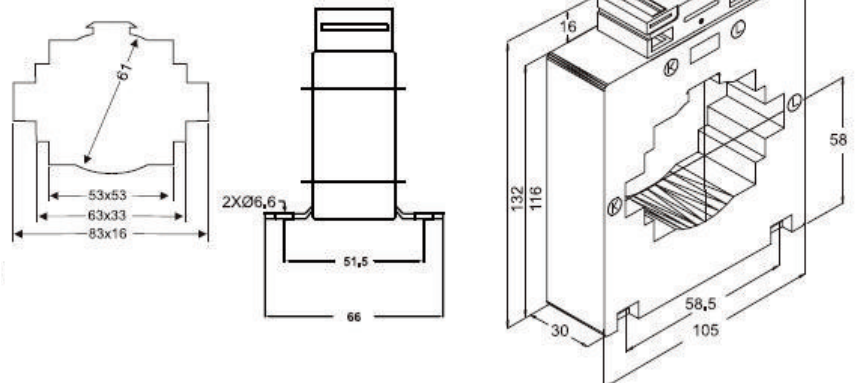
- unbreakable plastic casing, polyamide
- difficult to inflame, according to UL 94 V0 and selfextinguishing
- nickel-plated secondary terminals with plus minus screws (2 Nm)
- integrated secondary terminal caps

General Electrical Features

- rated frequency 50-60Hz (other frequencies on request)
- class of insulation E (other classes on request)
- rated short-time thermal current $I_{th} = 60 \cdot I_N$
- nominal surge current $I_{dyn} = 2.5 \cdot I_{th}$
- highest voltage for equipment $U_m = 0,72kV$ (other voltages on request)
- rated power-frequency withstand voltage 3kV/1min
- instrument security factor FS5 or FS10

CURRENT TRANSFORMERS

AST815 - WINDOW CURRENT TRANSFORMER



Dimensions: 105 x 132 x 30 mm

Round conductor: Ø 61 mm

Primary bar: 80 x 15 mm
2 x 60 x 10 mm
3 x 50 x 10 mm

AST815 Technical Features, Executions

Primary rated current A	sec. 5 A / Rated burdens VA		sec. 1 A / Rated burdens VA	
	Class 0.5	Class 1	Class 0.5	Class 1
400	-	5	-	5
500	-	7.5	-	7.5
600	5	10	5	10
750	5	10	5	10
800	10	10	10	10
1000	20	15	20	10
1250	7.5	15	7.5	10
1500	10	10	10	10
1600	10	15	10	15
2000	10	10	10	15

Accessories (please indicate in the order):

- Mounting feet (2 pieces)
- or
- primary fixing device

Special executions (On request):

- Other ranges, classes or rated burden VA.

General Mechanical Feature

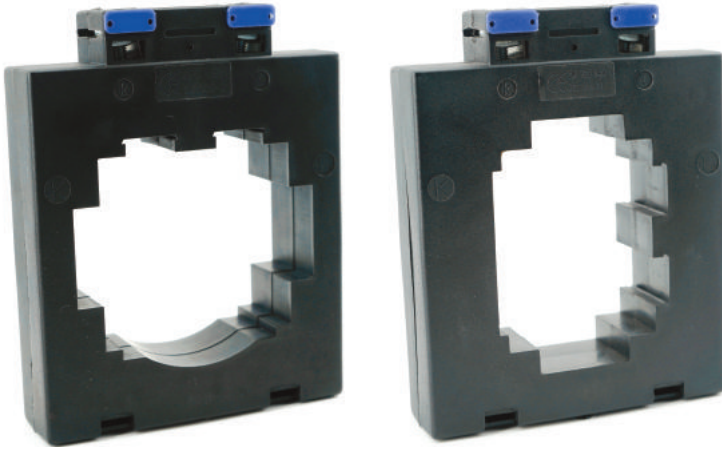
- unbreakable plastic casing, polyamide
- difficult to inflame, according to UL 94 V0 and selfextinguishing
- nickel-plated secondary terminals with plus minus screws (2 Nm)
- integrated secondary terminal caps

General Electrical Features

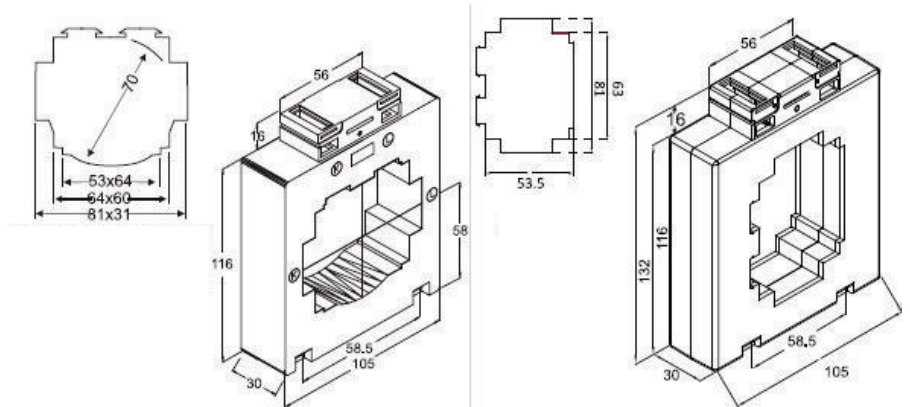
- rated frequency 50-60Hz (other frequencies on request)
- class of insulation E (other classes on request)
- rated short-time thermal current $I_{th} = 60 \cdot I_N$
- nominal surge current $I_{dyn} = 2.5 \cdot I_{th}$
- highest voltage for equipment $U_m = 0,72kV$ (other voltages on request)
- rated power-frequency withstand voltage 3kV/1min
- instrument security factor FS5 or FS10

CURRENT TRANSFORMERS

AST830 - WINDOW CURRENT TRANSFORMER



Dimensions:	
AST830	105 x 132 x 30 mm
AST830V	105 x 132 x 30 mm
Round conductor:	Ø 70 mm
Primary bar:	2 x 80 x 10 mm
AST830	60 x 60 mm
AST830V	60 x 50 mm



AST830 / AST830V Technical Features, Executions

Primary rated current A	sec. 5 A / Rated burdens VA		sec. 1 A / Rated burdens VA	
	Class 0.5	Class 1	Class 0.5	Class 1
400	-	3.75	-	3.75
500	-	7.5	-	7.5
600	5	10	5	10
750	5	10	5	10
800	7.5	7.5	7.5	10
1000	10	10	10	-
1250	10	10	10	-
1500	15	15	10	-
1600	15	15	15	-

Accessories (please indicate in the order):

- Mounting feet (2 pieces)

or

- primary fixing device

Special executions (On request):

- Other ranges, classes or rated burden VA.

General Mechanical Feature

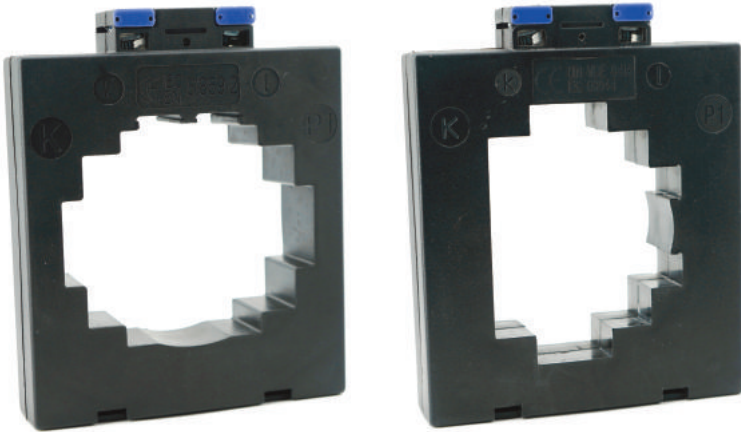
- unbreakable plastic casing, polyamide
- difficult to inflame, according to UL 94 V0 and selfextinguishing
- nickel-plated secondary terminals with plus minus screws (2 Nm)
- integrated secondary terminal caps

General Electrical Features

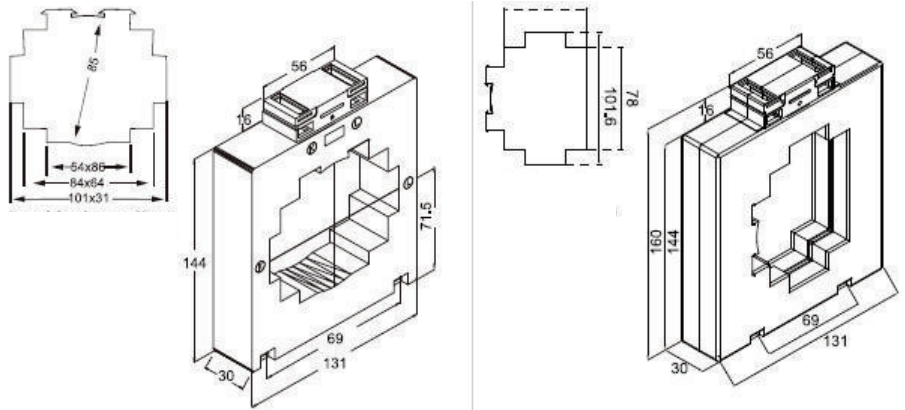
- rated frequency 50-60Hz (other frequencies on request)
- class of insulation E (other classes on request)
- rated short-time thermal current $I_{th} = 60 \cdot I_N$
- nominal surge current $I_{dyn} = 2.5 \cdot I_{th}$
- highest voltage for equipment $U_m = 0,72kV$ (other voltages on request)
- rated power-frequency withstand voltage 3kV/1min
- instrument security factor FS5 or FS10

CURRENT TRANSFORMERS

AST1030 - WINDOW CURRENT TRANSFORMER



Dimensions:	
AST1030	131 x 160 x 30 mm
AST1030V	131 x 160 x 30 mm
Round conductor:	Ø 85 mm
Primary bar:	2 x 100 x 10 mm
AST1030	80 x 60 mm
AST1030V	75 x 60 mm



AST1030 / AST1030V Technical Features, Executions

Primary rated current A	sec. 5 A / Rated burdens VA		sec. 1 A / Rated burdens VA	
	Class 0.5	Class 1	Class 0.5	Class 1
600	-	10	-	7.5
750	5	10	5	10
800	7.5	10	7.5	10
1000	10	15	10	10
1250	15	15	15	10
1500	15	15	15	10
1600	15	15	15	15
2000	15	15	15	15
2500	15	30	20	15
3000	15	15	20	-
3200	15	15	15	-

Accessories (please indicate in the order):

- Mounting feet (2 pieces)

or

- primary fixing device

Special executions (On request):

- Other ranges, classes or rated burden VA.

General Mechanical Feature

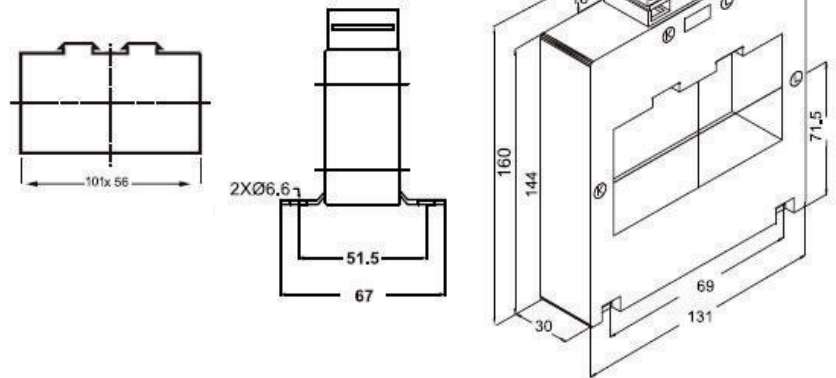
- unbreakable plastic casing, polyamide
- difficult to inflame, according to UL 94 V0 and selfextinguishing
- nickel-plated secondary terminals with plus minus screws (2 Nm)
- integrated secondary terminal caps

General Electrical Features

- rated frequency 50-60Hz (other frequencies on request)
- class of insulation E (other classes on request)
- rated short-time thermal current $I_{th} = 60 \cdot I_N$
- nominal surge current $I_{dyn} = 2.5 \cdot I_{th}$.
- highest voltage for equipment $U_m = 0,72kV$ (other voltages on request)
- rated power-frequency withstand voltage 3kV/1min
- instrument security factor FS5 or FS10

CURRENT TRANSFORMERS

AST1056 - WINDOW CURRENT TRANSFORMER



Dimensions: 131 x 160 x 30 mm

Primary bar: 101 x 56 mm

AST1056 Technical Features, Executions

Primary rated current A	sec. 5 A / Rated burdens VA		sec. 1 A / Rated burdens VA	
	Class 0.5	Class 1	Class 0.5	Class 1
600	-	10	-	-
750	5	10	5	-
800	7.5	10	7.5	-
1000	10	10	10	10
1250	15	15	15	15
1500	15	15	15	15
1600	15	15	15	15
2000	15	25	15	10
2500	20	30	10	10
3000	25	30	15	15
3200	10	30	15	30

Accessories (please indicate in the order):

- Mounting feet (2 pieces)

or

- primary fixing device

Special executions (On request):

- Other ranges, classes or rated burden VA.

General Mechanical Feature

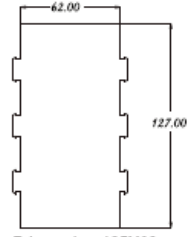
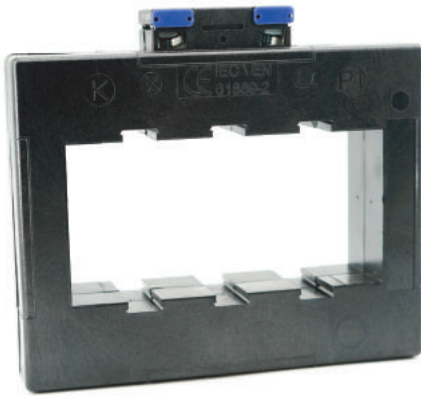
- unbreakable plastic casing, polyamide
- difficult to inflame, according to UL 94 V0 and selfextinguishing
- nickel-plated secondary terminals with plus minus screws (2 Nm)
- integrated secondary terminal caps

General Electrical Features

- rated frequency 50-60Hz (other frequencies on request)
- class of insulation E (other classes on request)
- rated short-time thermal current $I_{th} = 60 \cdot I_N$
- nominal surge current $I_{dyn} = 2.5 \cdot I_{th}$
- highest voltage for equipment $U_m = 0,72kV$ (other voltages on request)
- rated power-frequency withstand voltage 3kV/1min
- instrument security factor FS5 or FS10

CURRENT TRANSFORMERS

AST1256 - WINDOW CURRENT TRANSFORMER

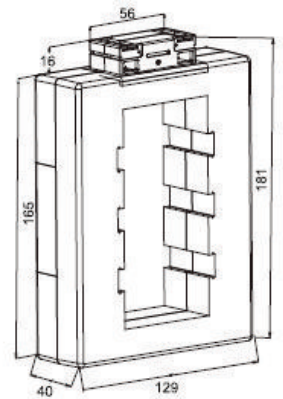
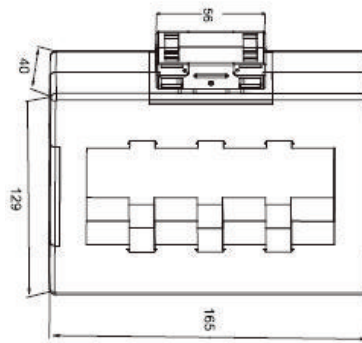


Dimensions:

AST1256 165 x 145 x 40 mm

AST1256V 129 x 181 x 40 mm

Primary bar: 125 x 60 mm



AST1256 / AST1256V Technical Features, Executions

Primary rated current A	sec. 5 A / Rated burdens VA		sec. 1 A / Rated burdens VA	
	Class 0.5	Class 1	Class 0.5	Class 1
600	-	10	-	10
750	5	15	5	15
800	7.5	15	7.5	15
1000	15	15	15	15
1250	15	20	15	15
1500	15	2	15	15
1600	15	20	15	15
2000	15	20	15	20
2500	15	20	15	20
3000	10	20	10	20
3200	15	20	15	20
3500	20	20	20	20
4000	30	30	30	30

Accesories (please indicate in the order):

- Mounting feet (2 pieces) or
- primary fixing device

Special executions (On request):

- Other ranges, classes or rated burden VA.

General Mechanical Feature

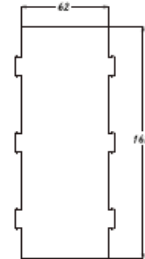
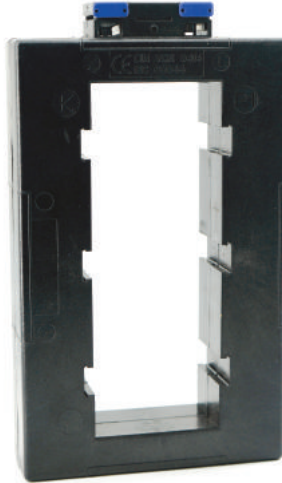
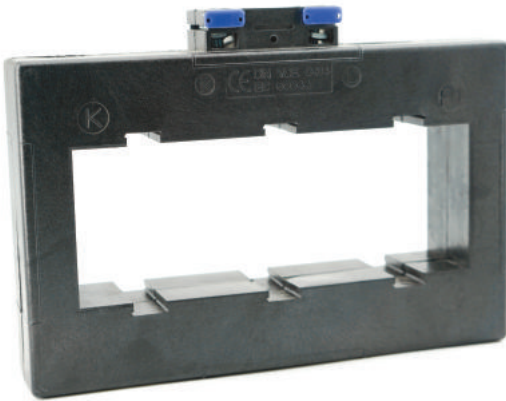
- unbreakable plastic casing, polyamide
- difficult to inflame, according to UL 94 V0 and selfextinguishing
- nickel-plated secondary terminals with plus minus screws (2 Nm)
- integrated secondary terminal caps

General Electrical Features

- rated frequency 50-60Hz (other frequencies on request)
- class of insulation E (other classes on request)
- rated short-time thermal current $I_{th} = 60 \cdot I_N$
- nominal surge current $I_{dyn} = 2.5 \cdot I_{th}$
- highest voltage for equipment $U_m = 0,72kV$ (other voltages on request)
- rated power-frequency withstand voltage 3kV/1min
- instrument security factor FS5 or FS10

CURRENT TRANSFORMERS

AST1656 - WINDOW CURRENT TRANSFORMER

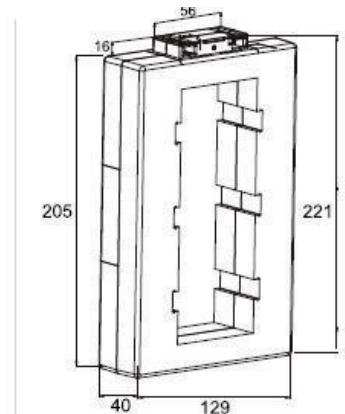
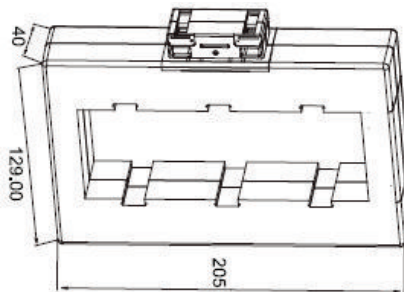


Dimensions:

AST1656 205 x 145 x 40 mm

AST1656V 129 x 221 x 40 mm

Primary bar: 165 x 60 mm



AST1656 / AST1656V Technical Features, Executions

Primary rated current A	sec. 5 A / Rated burdens VA		sec. 1 A / Rated burdens VA	
	Class 0.5	Class 1	Class 0.5	Class 1
600	-	10	-	10
750	-	15	-	15
800	10	15	10	15
1000	15	15	15	20
1250	15	15	15	20
1500	15	15	15	20
1600	15	15	15	20
2000	15	20	15	20
2500	15	20	15	20
3000	15	20	15	20
3200	15	20	15	20
3500	15	20	15	20
4000	15	20	15	20
5000	-	20	-	20

Accessories (please indicate in the order):

- Mounting feet (2 pieces) or
- primary fixing device

Special executions (On request):

- Other ranges, classes or rated burden VA.

General Mechanical Feature

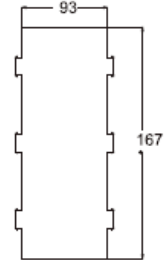
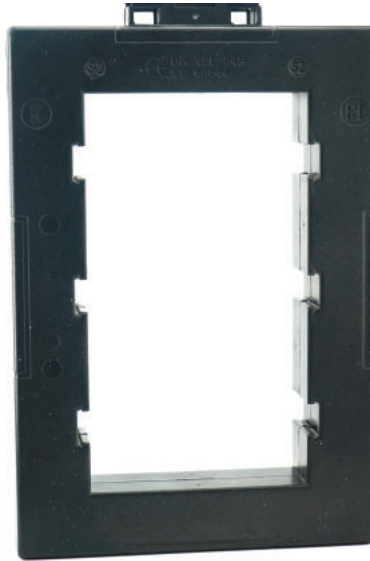
- unbreakable plastic casing, polyamide
- difficult to inflame, according to UL 94 V0 and selfextinguishing
- nickel-plated secondary terminals with plus minus screws (2 Nm)
- integrated secondary terminal caps

General Electrical Features

- rated frequency 50-60Hz (other frequencies on request)
- class of insulation E (other classes on request)
- rated short-time thermal current $I_{th} = 60 \cdot I_N$
- nominal surge current $I_{dyn} = 2.5 \cdot I_{th}$
- highest voltage for equipment $U_m = 0,72kV$ (other voltages on request)
- rated power-frequency withstand voltage 3kV/1min
- instrument security factor FS5 or FS10

CURRENT TRANSFORMERS

AST1659 - WINDOW CURRENT TRANSFORMER

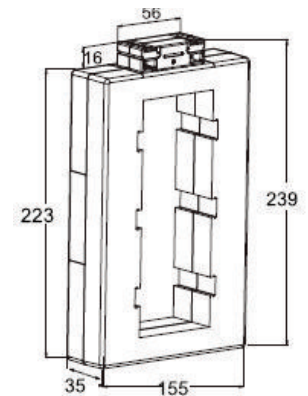
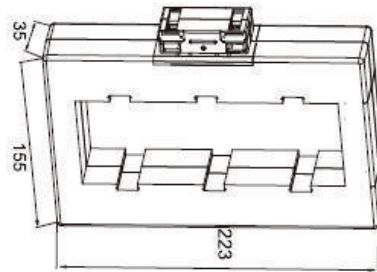


Dimensions:

AST1659 223 x 171 x 35 mm

AST1659V 155 x 239 x 35 mm

Primary bar: 165 x 90 mm



AST1659 / AST1659V Technical Features, Executions

Primary rated current A	sec. 5 A / Rated burdens VA		sec. 1 A / Rated burdens VA	
	Class 0.5	Class 1	Class 0.5	Class 1
800	-	15	-	-
1000	15	15	15	-
1250	15	15	15	20
1500	15	15	15	20
1600	15	20	15	20
2000	15	20	15	20
2500	15	20	15	20
3000	15	20	15	20
3200	15	20	15	20
3500	15	20	15	20
4000	15	20	15	20
5000	15	20	15	20
6000	15	20	15	20

Accessories (please indicate in the order):

- Mounting feet (2 pieces) or
- primary fixing device

Special executions (On request):

- Other ranges, classes or rated burden VA.

General Mechanical Feature

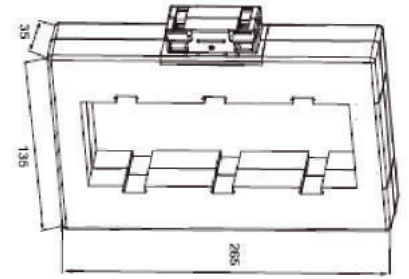
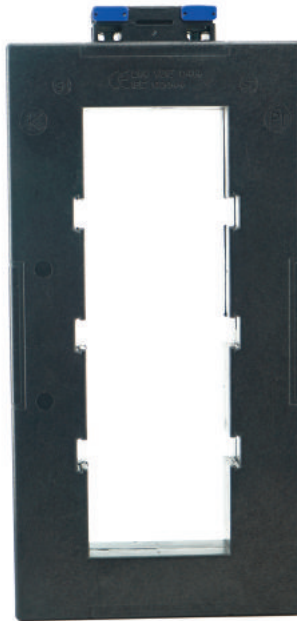
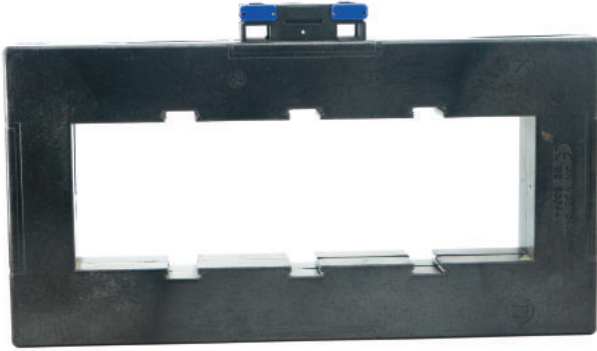
- unbreakable plastic casing, polyamide
- difficult to inflame, according to UL 94 V0 and selfextinguishing
- nickel-plated secondary terminals with plus minus screws (2 Nm)
- integrated secondary terminal caps

General Electrical Features

- rated frequency 50-60Hz (other frequencies on request)
- class of insulation E (other classes on request)
- rated short-time thermal current $I_{th} = 60 \cdot I_N$
- nominal surge current $I_{dyn} = 2.5 \cdot I_{th}$
- highest voltage for equipment $U_m = 0,72kV$ (other voltages on request)
- rated power-frequency withstand voltage 3kV/1min
- instrument security factor FS5 or FS10.

CURRENT TRANSFORMERS

AST2065 - WINDOW CURRENT TRANSFORMER

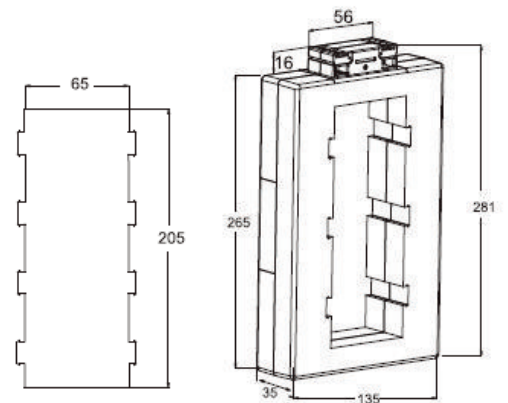


Dimensions:

AST2065 265 x 151 x 35 mm

AST2065V 135 x 281 x 35 mm

Primary bar: 200 x 60 mm



AST2065 / AST2065V Technical Features, Executions

Primary rated current A	sec. 5 A / Rated burdens VA		sec. 1 A / Rated burdens VA	
	Class 0.5	Class 1	Class 0.5	Class 1
800	-	15	-	-
1000	15	15	15	20
1250	15	15	15	20
1500	15	15	15	20
1600	15	15	15	20
2000	15	15	15	20
2500	15	20	15	20
3000	15	20	15	20
3200	15	20	15	20
3500	15	20	15	20
4000	15	20	15	20
5000	15	20	15	20
6000	15	20	15	20

Accesories (please indicate in the order):

- Mounting feet (2 pieces) or
- primary fixing device

Special executions (On request):

- Other ranges, classes or rated burden VA.

General Mechanical Feature

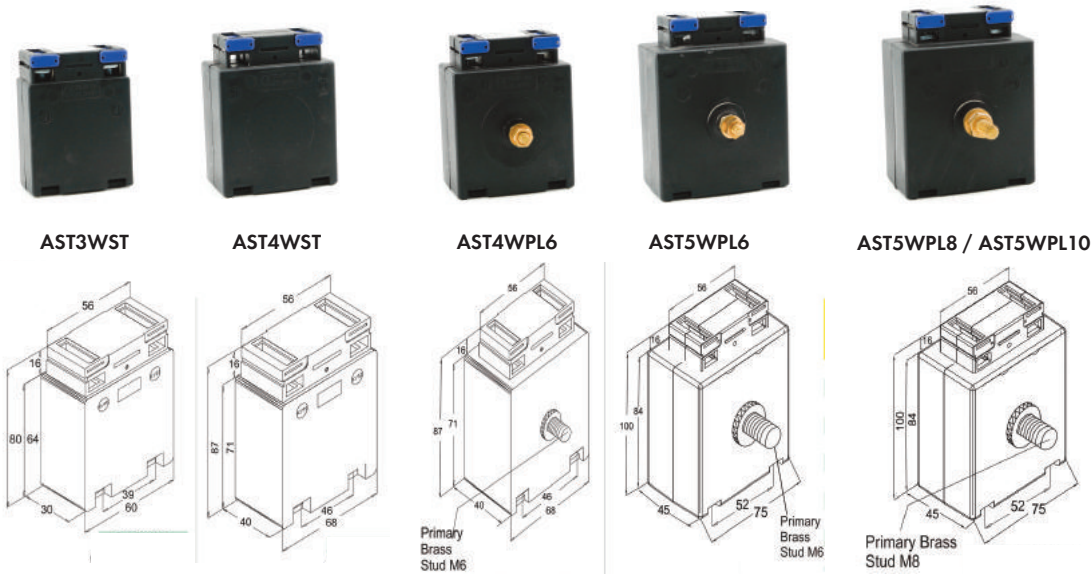
- unbreakable plastic casing, polyamide
- difficult to inflame, according to UL 94 V0 and selfextinguishing
- nickel-plated secondary terminals with plus minus screws (2 Nm)
- integrated secondary terminal caps

General Electrical Features

- rated frequency 50-60Hz (other frequencies on request)
- class of insulation E (other classes on request)
- rated short-time thermal current $I_{th} = 60 \cdot I_N$
- nominal surge current $I_{dyn} = 2.5 \cdot I_{th}$
- highest voltage for equipment $U_m = 0,72kV$ (other voltages on request)
- rated power-frequency withstand voltage 3kV/1min
- instrument security factor FS5 or FS10

CURRENT TRANSFORMERS

AST3WST - AST4WST - AST4WPL6 - AST5WPL6 - AST5WPL8



Dimensions:

AST3WST
60 x 80 x 30 mm

AST4WST
68 x 87 x 40 mm

AST4WPL6
68 x 87 x 40 mm

AST5WPL6
75 x 100 x 45 mm

AST5WPL8 / AST5WPL10
75 x 100 x 45 mm

AST3WST / AST4WST Technical Features, Executions

Primary rated current A	AST3WST		AST4WST	
	sec. 5 A / Rated burdens VA	sec. 1 A / Rated burdens VA	sec. 5 A / Rated burdens VA	sec. 1 A / Rated burdens VA
	Class 1	Class 1	Class 1	Class 1
5	5	5	10	10
6	5	5	10	10
7.5	5	5	10	10
10	5	5	10	10
12.5	5	5	10	10
15	5	5	10	10
20	5	5	10	10
25	5	5	10	10
30	5	5	10	10

AST4WPL6 / AST5WPL6 Technical Features, Executions

Primary rated current A	AST4WPL6 / Primary bras stud M6		AST5WPL6 / Primary bras stud M6	
	sec. 5 A / Rated burdens VA	sec. 1 A / Rated burdens VA	sec. 5 A / Rated burdens VA	sec. 1 A / Rated burdens VA
	Class 1	Class 1	Class 1	Class 1
5	5	5	10	10
6	5	5	10	10
7.5	5	5	10	10
10	5	5	10	10
12.5	5	5	10	10
15	5	5	10	10
20	5	5	10	10
25	5	5	10	10
30	5	5	10	10

AST5WPL8 / AST5WPL10 Technical Features, Executions

Primary rated current A	AST5WPL8 / Primary bras stud M8		AST5WPL10 / Primary bras stud M10	
	sec. 5 A / Rated burdens VA	sec. 1 A / Rated burdens VA	sec. 5 A / Rated burdens VA	sec. 1 A / Rated burdens VA
	Class 1	Class 1	Class 1	Class 1
50	15	15	-	-
60	15	15	-	-
75	15	15	-	-
80	15	15	15	15
100	-	-	15	15