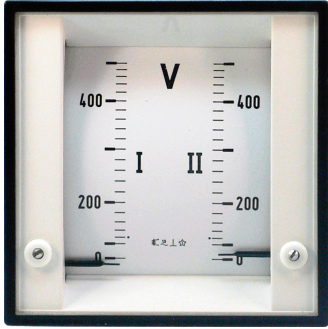
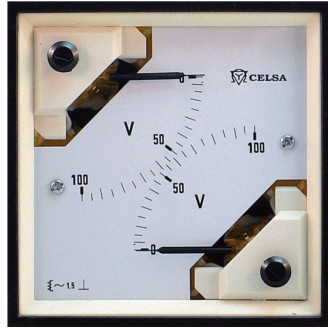


ANALOGUE MEASURING INSTRUMENTS

EPD / EQD - Double Voltmeter



EPD



EQD

- Class 1..5
- With 2 moving iron systems on opposite positions
- With 2 parallel vertical scales

Description

The instruments have 2 independent moving iron movements to measure the voltage for example between 2 generators or one generator and the net. The technical features correspond to our type EQ (see page 4/3).

Technical Features

Type	EPD 96s	EPD 144s	EQD 96n	EQD 144s
Front frame (mm)	96 x 96	144 x 144	96 x 96	144 x 144
Scale length (mm)	2 x 62	2 x 103	2 x 54	2 x 90
Weight (g)	700	1200	305	550
Consumption	2 x max.3	2 x max.3	2 x max.4.5	2 x max.3.5
Voltage (V)				
2 x 100 ¹⁾	●	●	●	●
2 x 110 ¹⁾	●	●	●	●
2 x 150	●	●	●	●
2 x 230	●	●	●	●
2 x 250	●	●	●	●
2 x 300	●	●	●	●
2 x 500	●	●	●	●
Terminal cover	-	-	●	○

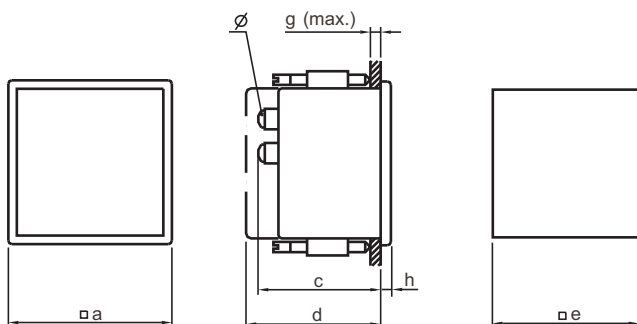
● available ○ on request

¹⁾ When connecting to the voltage transformer the indication of the transformer ratio is required.

Housing dimensions double voltmeter

Dimensions in mm							
Type	a	c	d	e	g	h	∅
EQD 96n	96	53	64	92 ^{+0,8}	26	5,5	M4
EPD 96s	96	124	135	92 ^{+0,8}	10	5	M4
EPD 144s	144	170	181	138 ⁺¹	10	5,5	M4
EQD 96s	96	61	76	92 ^{+0,8}	10	5	M4
EQD 144s	144	61	76	138 ⁺¹	10	5,5	M4

Connection diagram



EPD / EQD

